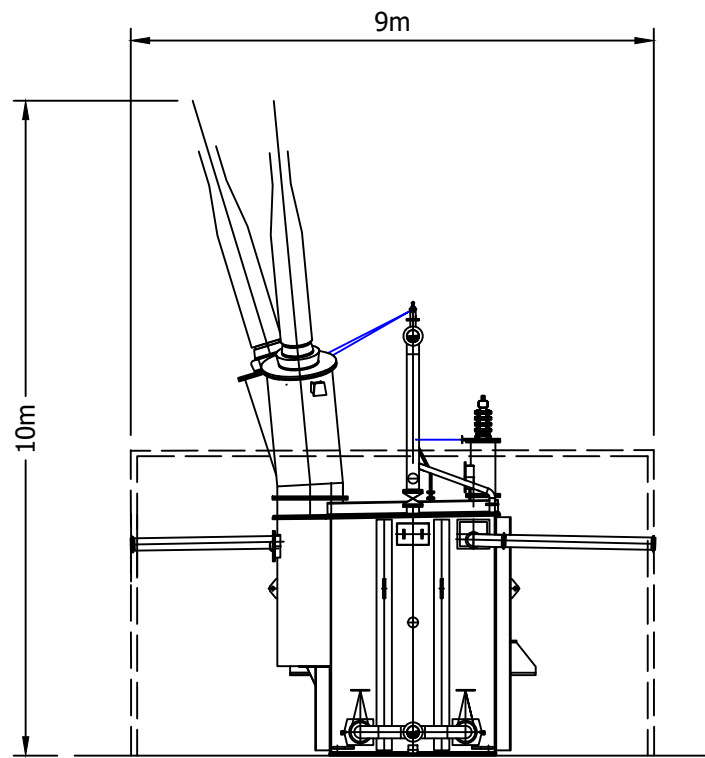
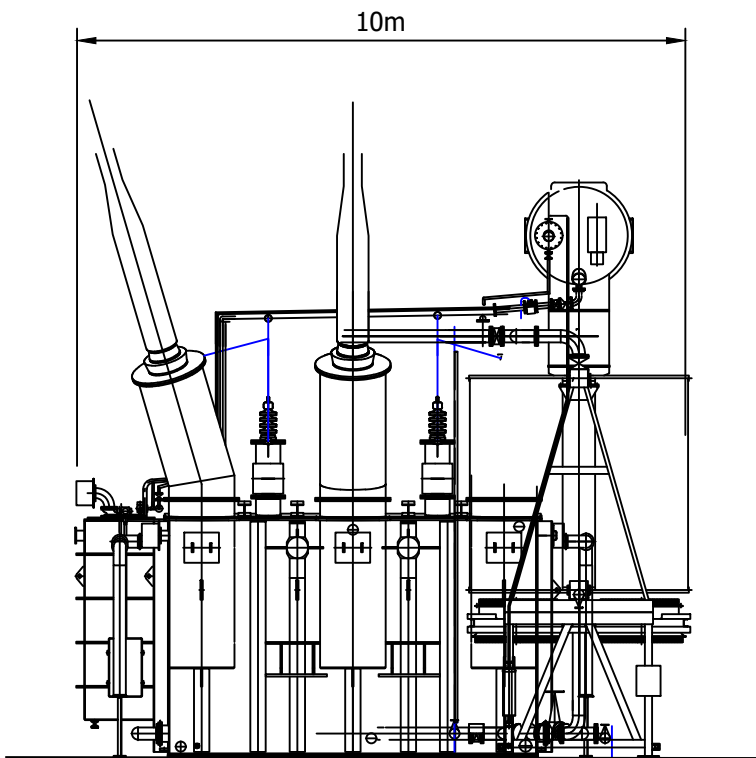


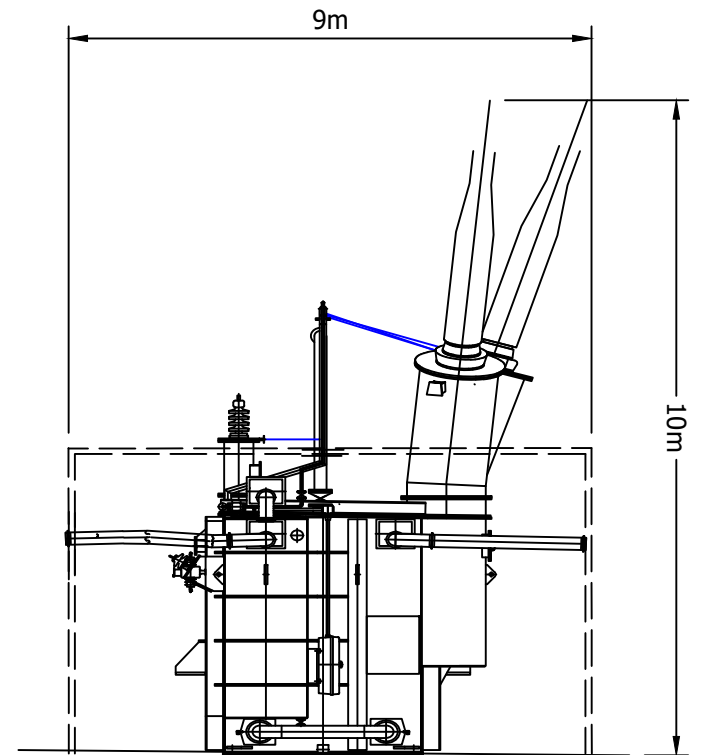
Plot Date : 10 November 2022 11:14:54
 File Name : Y:\CAD\4852 - BRANXTON ENERGY STORAGE FACILITY\01-WORKING\01_01-DRAWINGS\4852_DR_P_0007



END ELEVATION




FRONT ELEVATION



END ELEVATION



SCALE 1:125

Project Title BRANXTON ENERGY STORAGE FACILITY		Drawing Title PLANNING DRAWING 007 INDICATIVE TRANSFORMER		Purpose of issue PLANNING		THIS DOCUMENT HAS BEEN PREPARED IN ACCORDANCE WITH THE SCOPE OF ARCUS' APPOINTMENT WITH ITS CLIENT AND IS SUBJECT TO THE TERMS OF THAT APPOINTMENT. ARCUS ACCEPTS NO LIABILITY FOR ANY USE OF THIS DOCUMENT OTHER THAN BY ITS CLIENT AND ONLY FOR THE PURPOSES FOR WHICH IT WAS PREPARED AND PROVIDED		Arcus Consultancy Services 7th Floor 144 West George Street Glasgow, G2 2HG Tel: +44 (0)141 221 9997 Fax: +44 (0)141 221 5610 www.arcusconsulting.co.uk																	
Client EastCoastGridServices Ltd.				<table border="1"> <tr> <td>Designed</td> <td>Drawn</td> <td>Checked</td> <td>Approved</td> </tr> <tr> <td>-</td> <td>RC</td> <td>RC</td> <td>AC</td> </tr> </table>							Designed	Drawn	Checked	Approved	-	RC	RC	AC	<table border="1"> <tr> <td>Arcus Internal Project No.</td> <td>Date</td> </tr> <tr> <td>4852</td> <td>10/11/22</td> </tr> </table>		Arcus Internal Project No.	Date	4852	10/11/22	<table border="1"> <tr> <td>Drawing Number</td> <td>Rev</td> </tr> <tr> <td>4852_DR_P_0007</td> <td>-</td> </tr> </table>
Designed	Drawn	Checked	Approved																						
-	RC	RC	AC																						
Arcus Internal Project No.	Date																								
4852	10/11/22																								
Drawing Number	Rev																								
4852_DR_P_0007	-																								