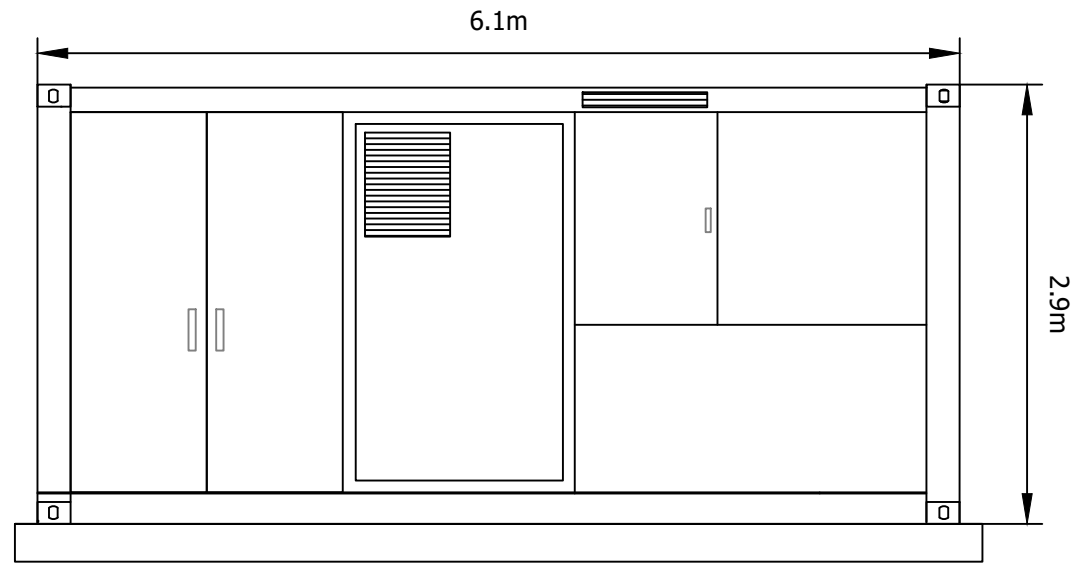
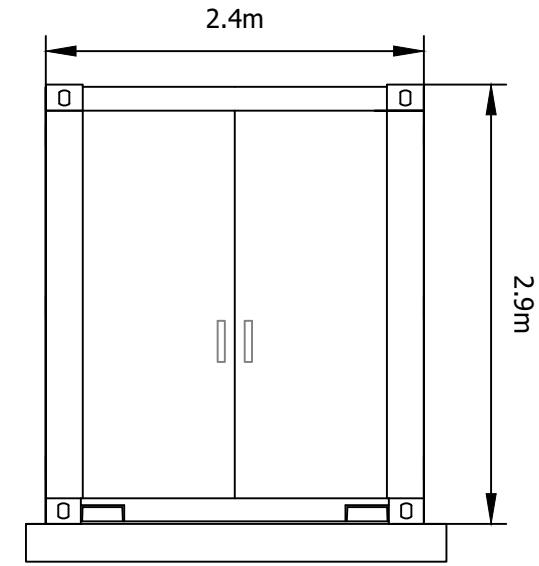


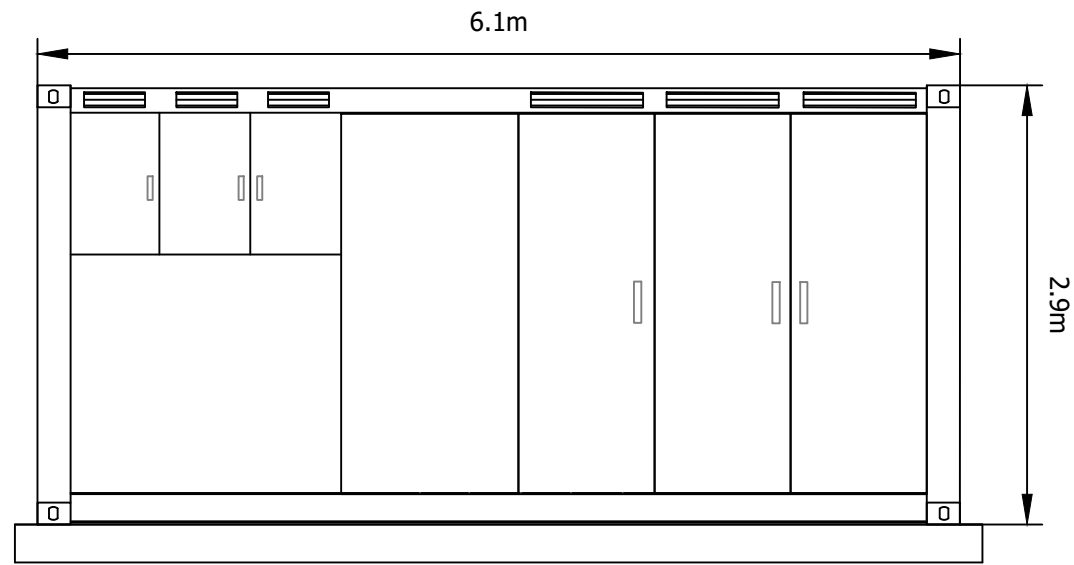
Plot Date : 10 November 2022 16:58:08  
 File Name : Y:\CAD\4852 - BRANXTON ENERGY STORAGE FACILITY\01-WORKING\01-DRAWINGS\4852\_DR\_P\_0006



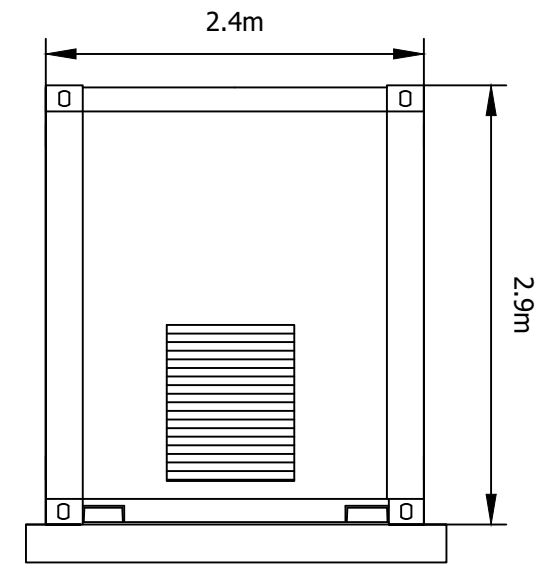
FRONT ELEVATION



END ELEVATION




REAR ELEVATION



END ELEVATION



SCALE 1:50

Project Title <b>BRANXTON ENERGY STORAGE FACILITY</b>	Drawing Title <b>PLANNING DRAWING 006 INDICATIVE PCS INVERTER/TRANSFORMER</b>	Purpose of issue <b>PLANNING</b>				THIS DOCUMENT HAS BEEN PREPARED IN ACCORDANCE WITH THE SCOPE OF ARCUS' APPOINTMENT WITH ITS CLIENT AND IS SUBJECT TO THE TERMS OF THAT APPOINTMENT. ARCUS ACCEPTS NO LIABILITY FOR ANY USE OF THIS DOCUMENT OTHER THAN BY ITS CLIENT AND ONLY FOR THE PURPOSES FOR WHICH IT WAS PREPARED AND PROVIDED	Arcus Consultancy Services 7th Floor 144 West George Street Glasgow, G2 2HG Tel: +44 (0)141 221 9997 Fax: +44 (0)141 221 5610 <a href="http://www.arcusconsulting.co.uk">www.arcusconsulting.co.uk</a>	
		Designed -	Drawn RC	Checked RC	Approved AC			
Client <b>EastCoastGridServices Ltd.</b>		Arcus Internal Project No. 4852	Date 09/11/22					
		Scale @ A3 1:50						